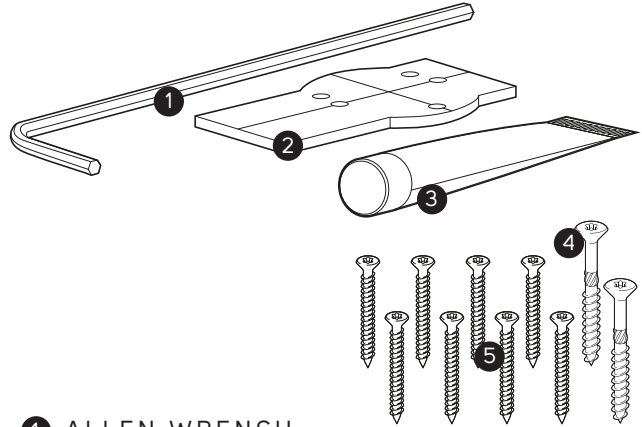
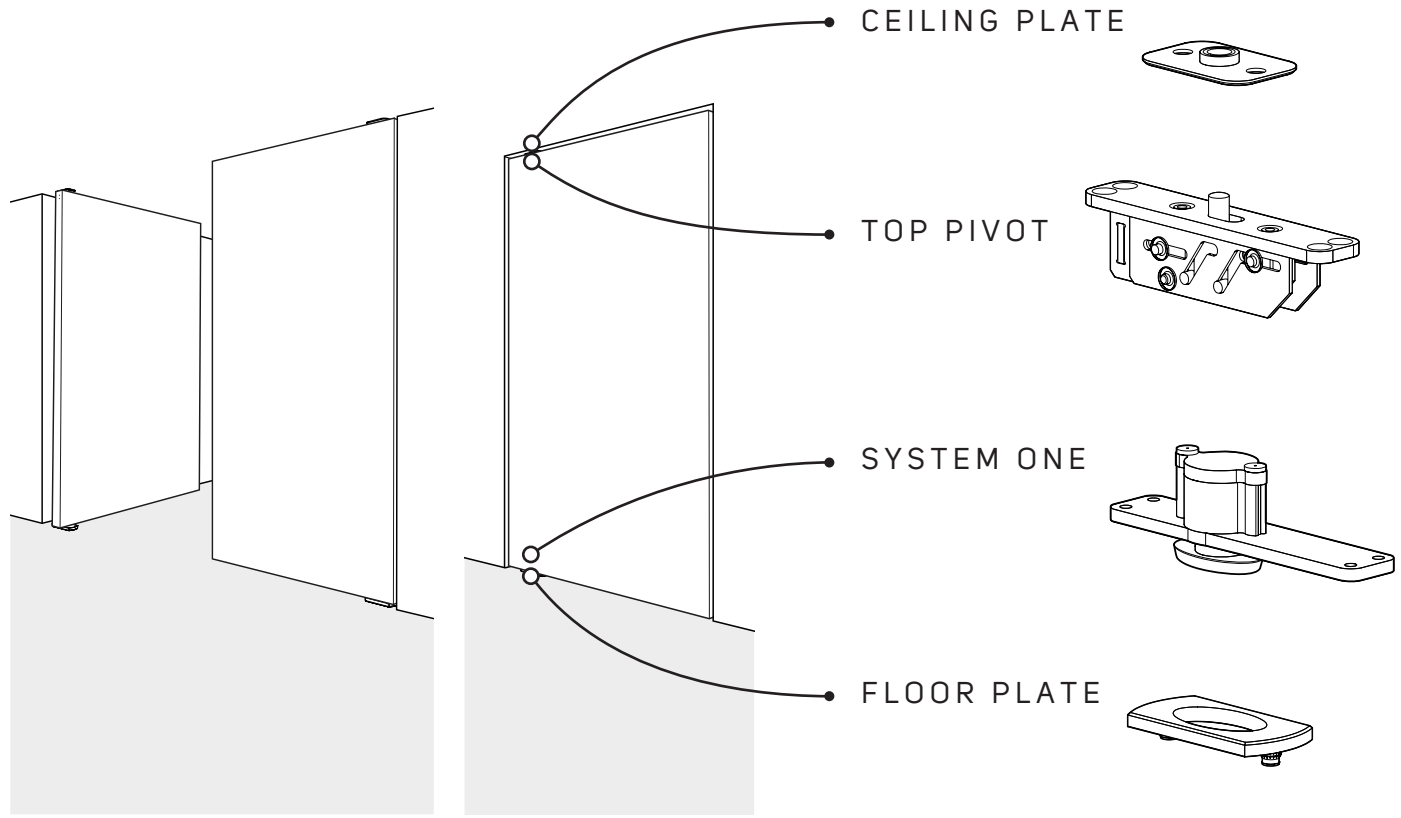
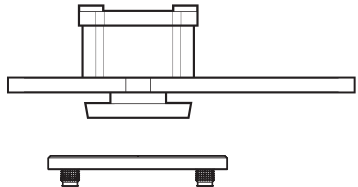


MOUNTING MANUAL

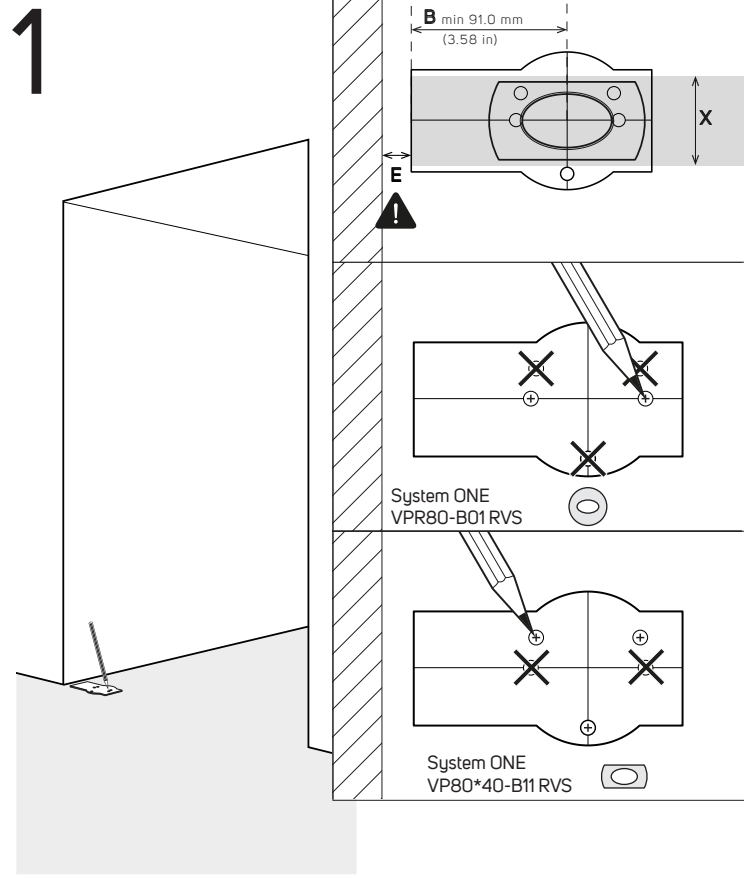
FritsJurgens®
SYSTEM ONE



- ① ALLEN WRENCH
-
- ② FITTING TEMPLATE
-
- ③ FITTING ADHESIVE
-
- ④ SCREW (6x60) 2x
-
- ⑤ SCREW (4x50) 8x

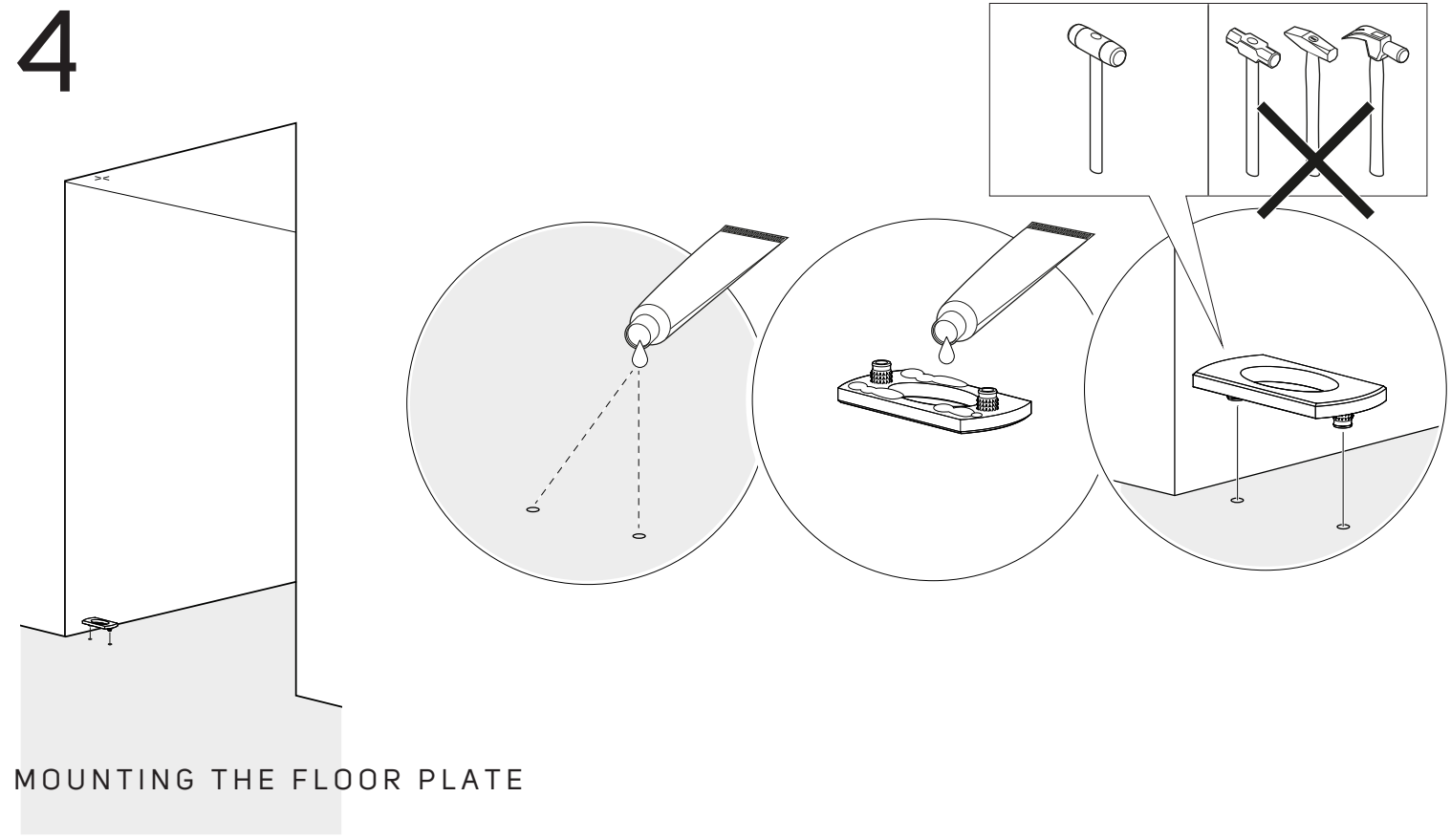
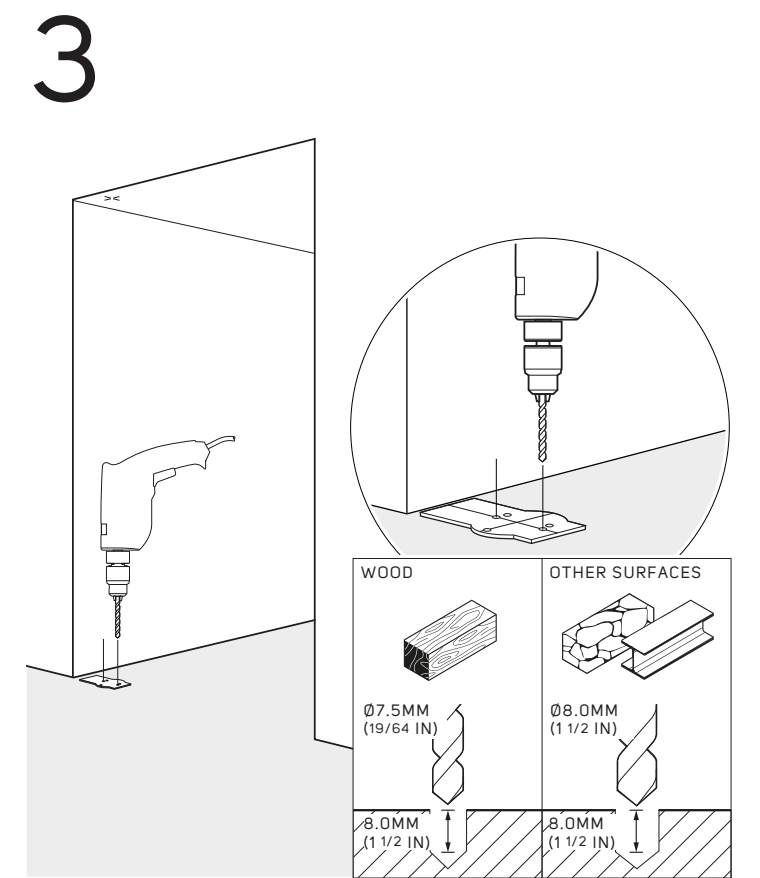
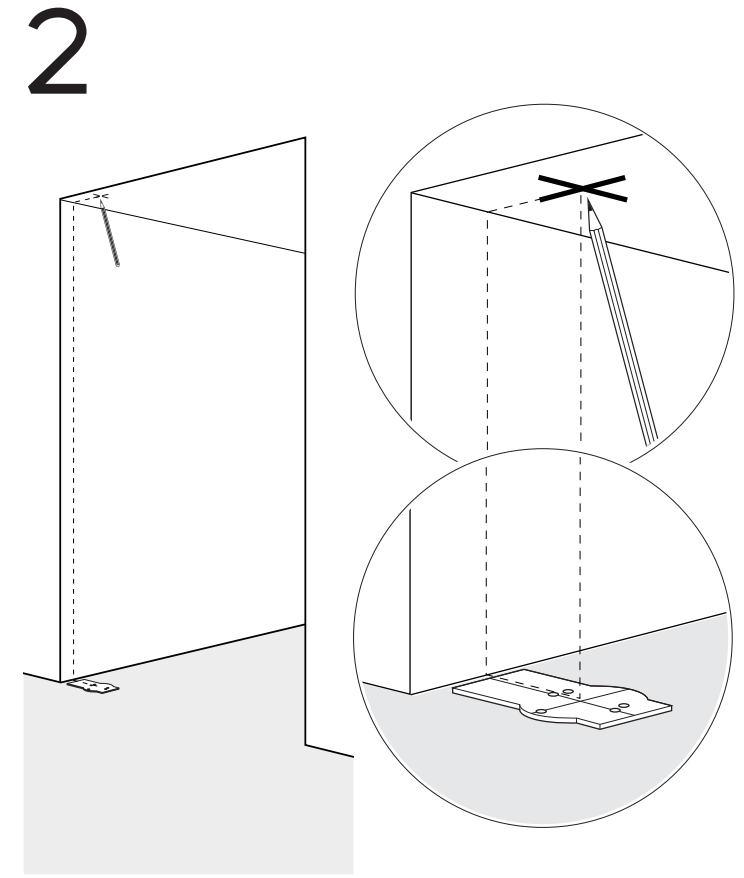


MOUNTING THE FLOOR PLATE



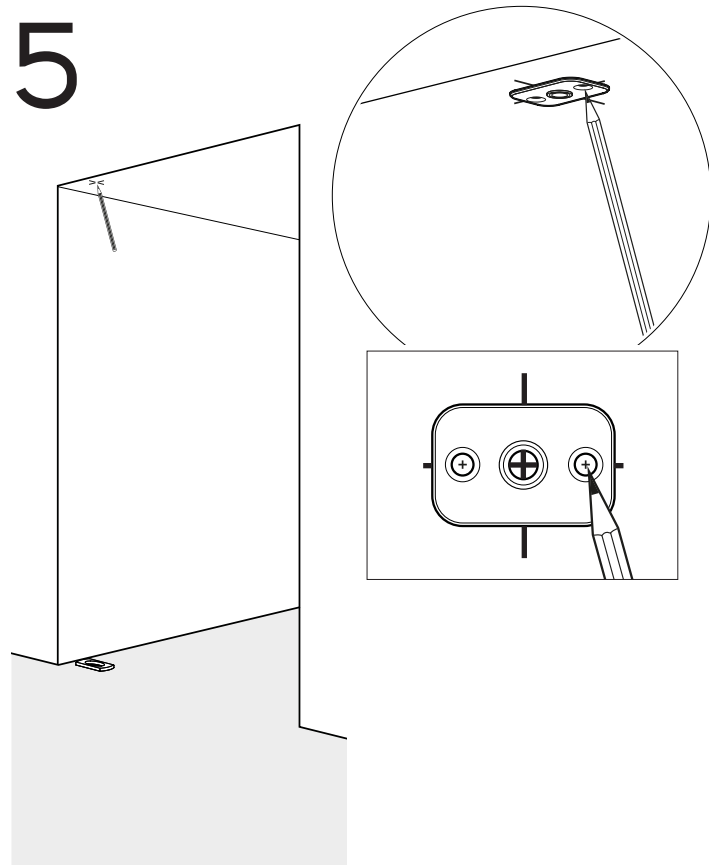
B	40	50	60	70	80	90	100	X
91	4.2	5.4	6.8	8.5	10.4	12.5	14.8	
250	2.8	3.3	3.8	4.4	5.2	6.0	7.0	
500	2.4	2.6	2.9	3.2	3.6	4.0	4.5	
1000	2.2	2.3	2.5	2.6	2.8	3.0	3.3	
1500	2.1	2.2	2.3	2.4	2.5	2.7	2.8	
2000	2.1	2.2	2.2	2.3	2.4	2.5	2.6	

E Minimum gap between door and wall
B Distance pivot point to beginning edge of door
X Door thickness

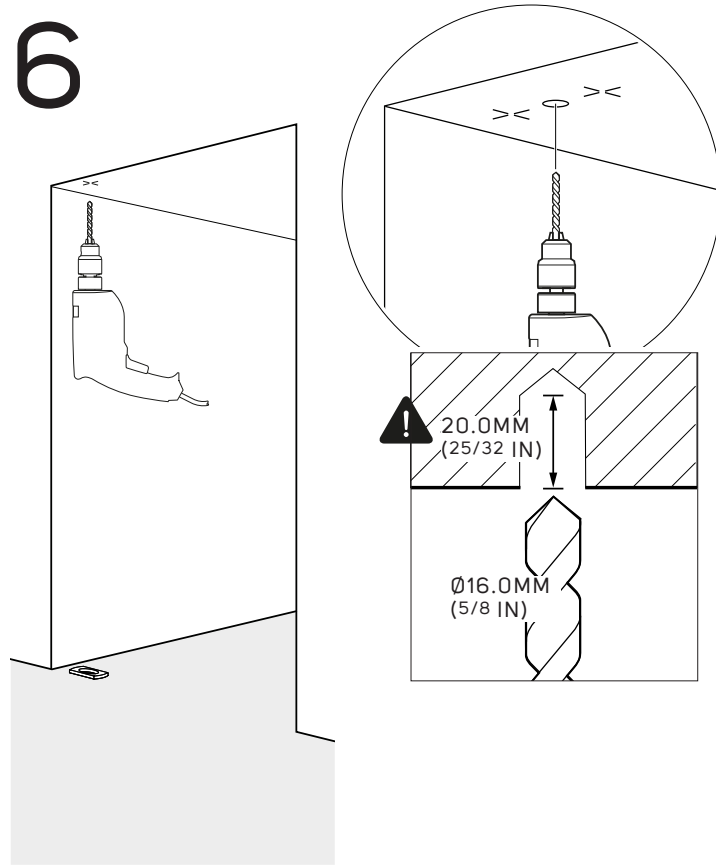


MOUNTING THE FLOOR PLATE

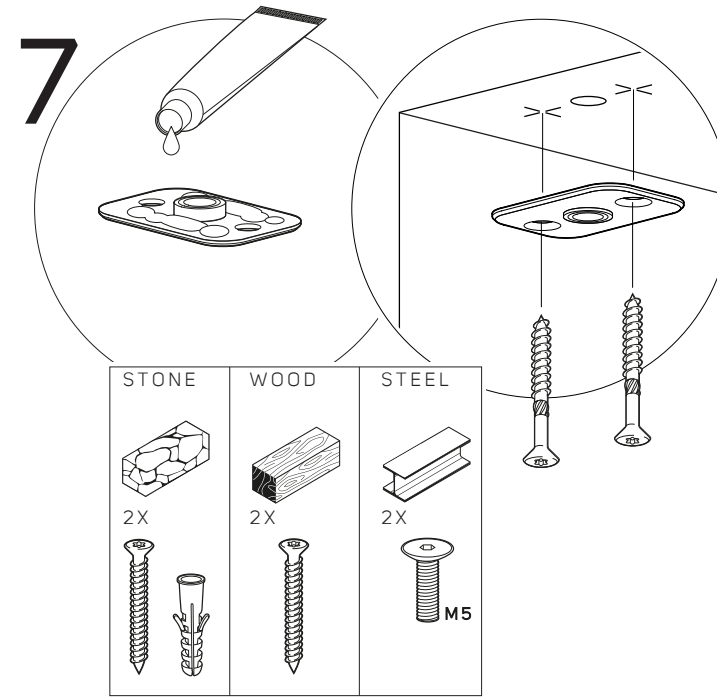
5



6

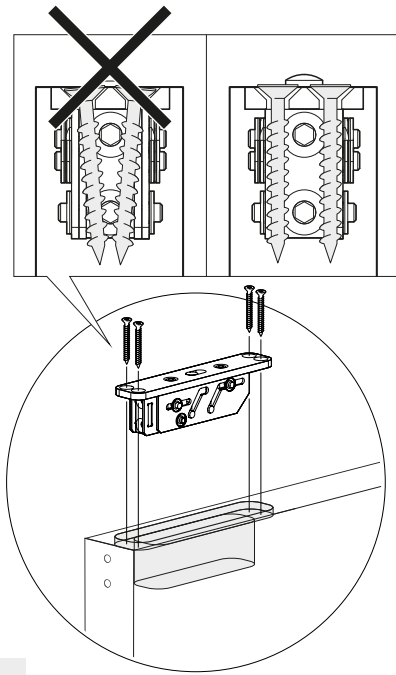


7

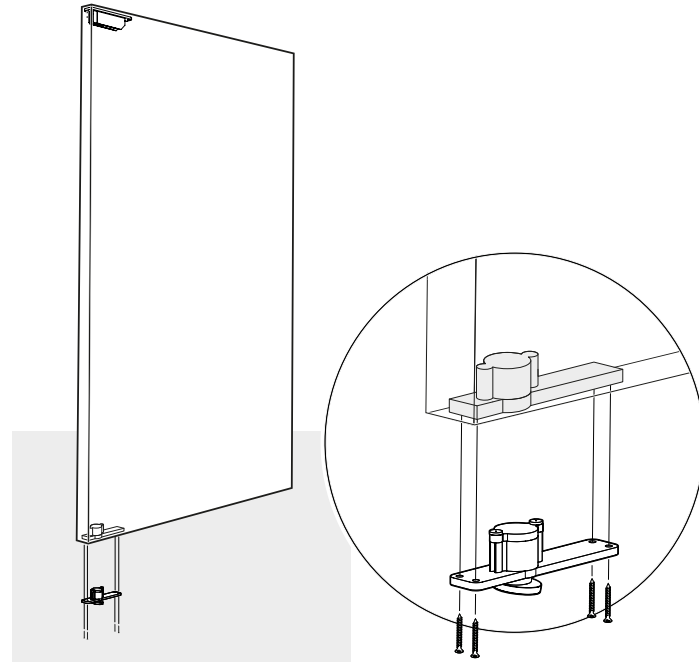


MOUNTING THE PIVOT DOOR

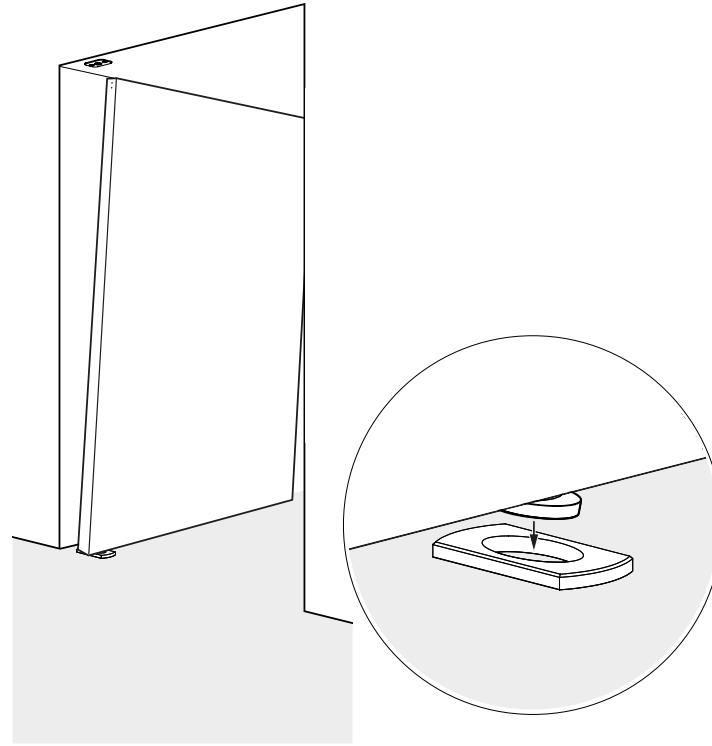
8



9



10



11

