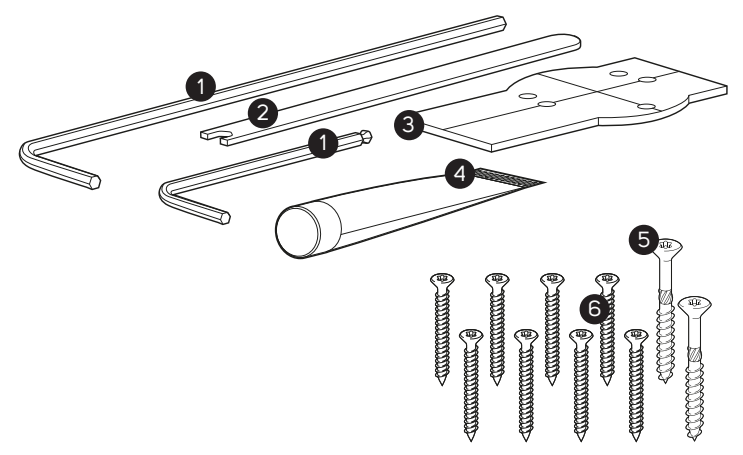
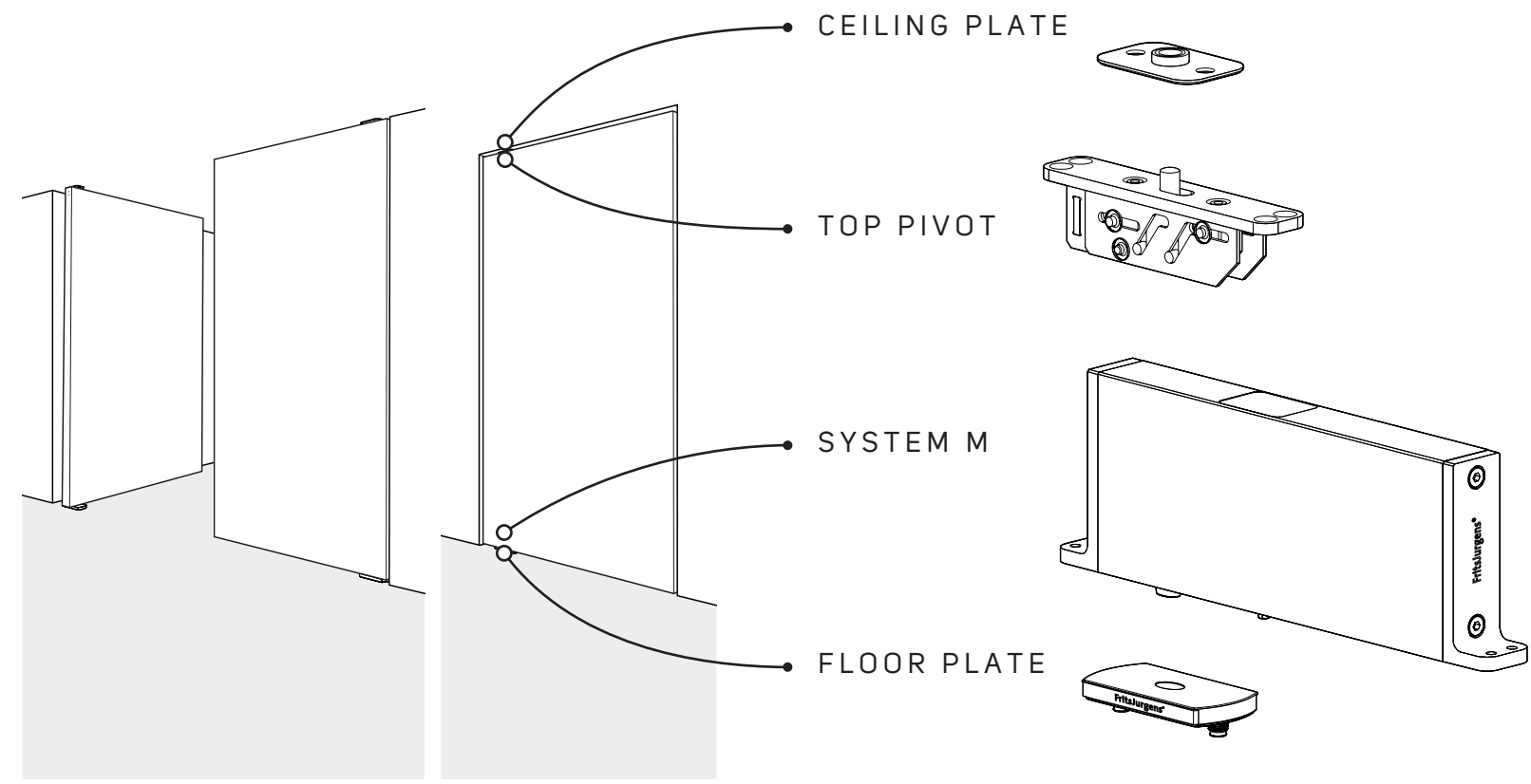
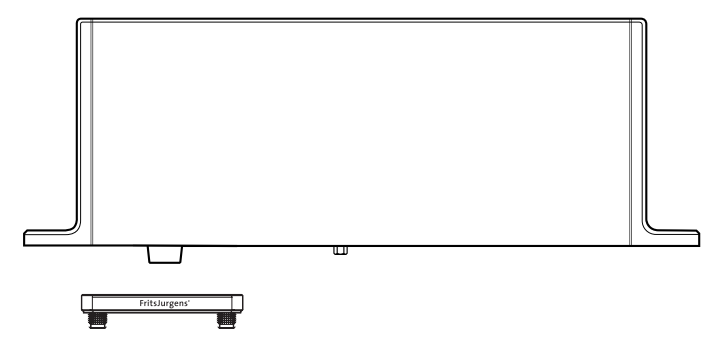


MOUNTING MANUAL

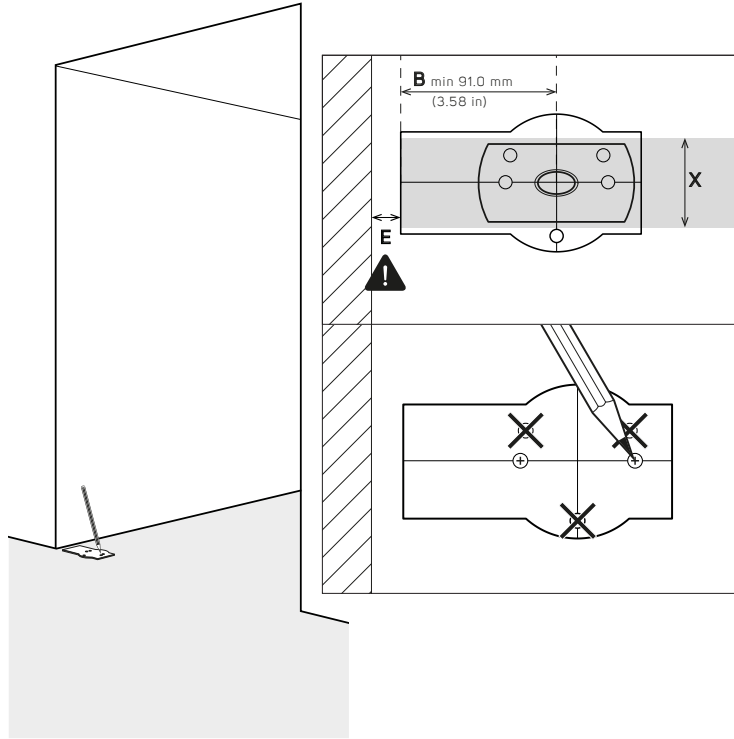
FritsJurgens®
SYSTEM M



- ① ALLEN WRENCH 2X
-
- ② ADJUSTMENT SPANNER
-
- ③ FITTING TEMPLATE
-
- ④ FITTING ADHESIVE
-
- ⑤ RVS SCREW (6x60) 2x
-
- ⑥ RVS SCREW (4x50) 8x



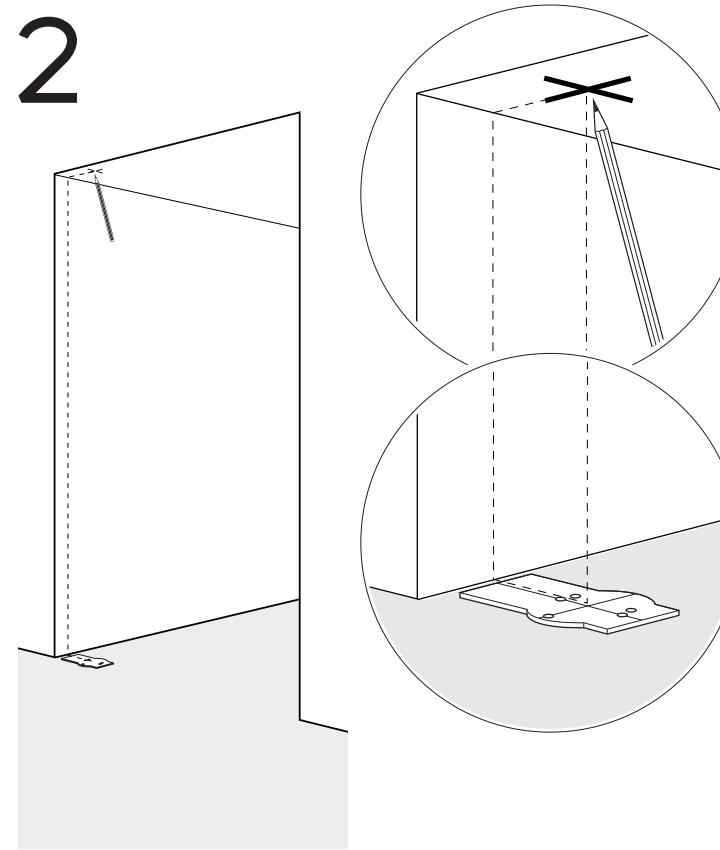
1



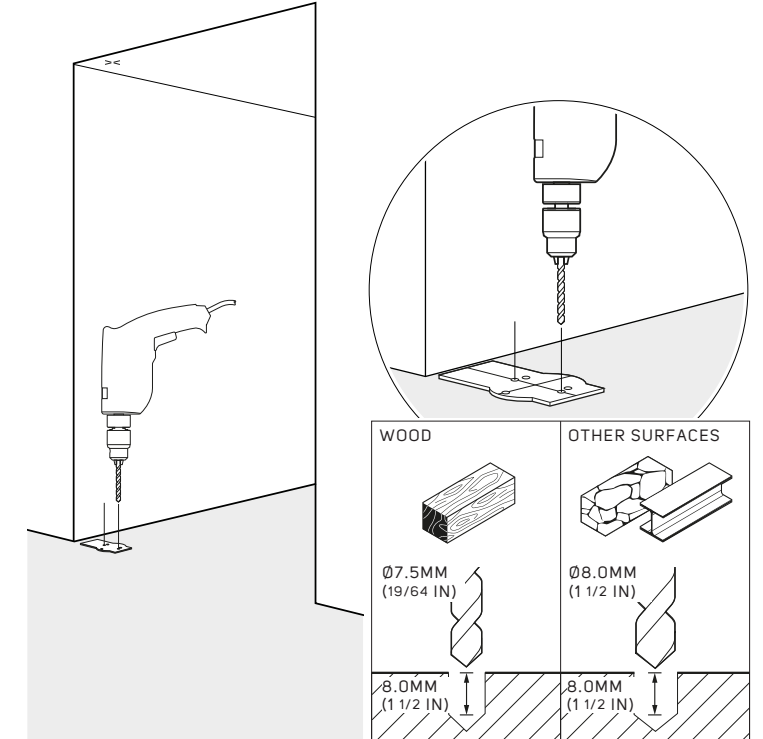
B	40	50	60	70	80	90	100	X
91	4.2	5.4	6.8	8.5	10.4	12.5	14.8	
250	2.8	3.3	3.8	4.4	5.2	6.0	7.0	
500	2.4	2.6	2.9	3.2	3.6	4.0	4.5	
1000	2.2	2.3	2.5	2.6	2.8	3.0	3.3	
1500	2.1	2.2	2.3	2.4	2.5	2.7	2.8	
2000	2.1	2.2	2.2	2.3	2.4	2.5	2.6	

E Minimum gap between door and wall
B Distance pivot point to beginning edge of door
X Door thickness

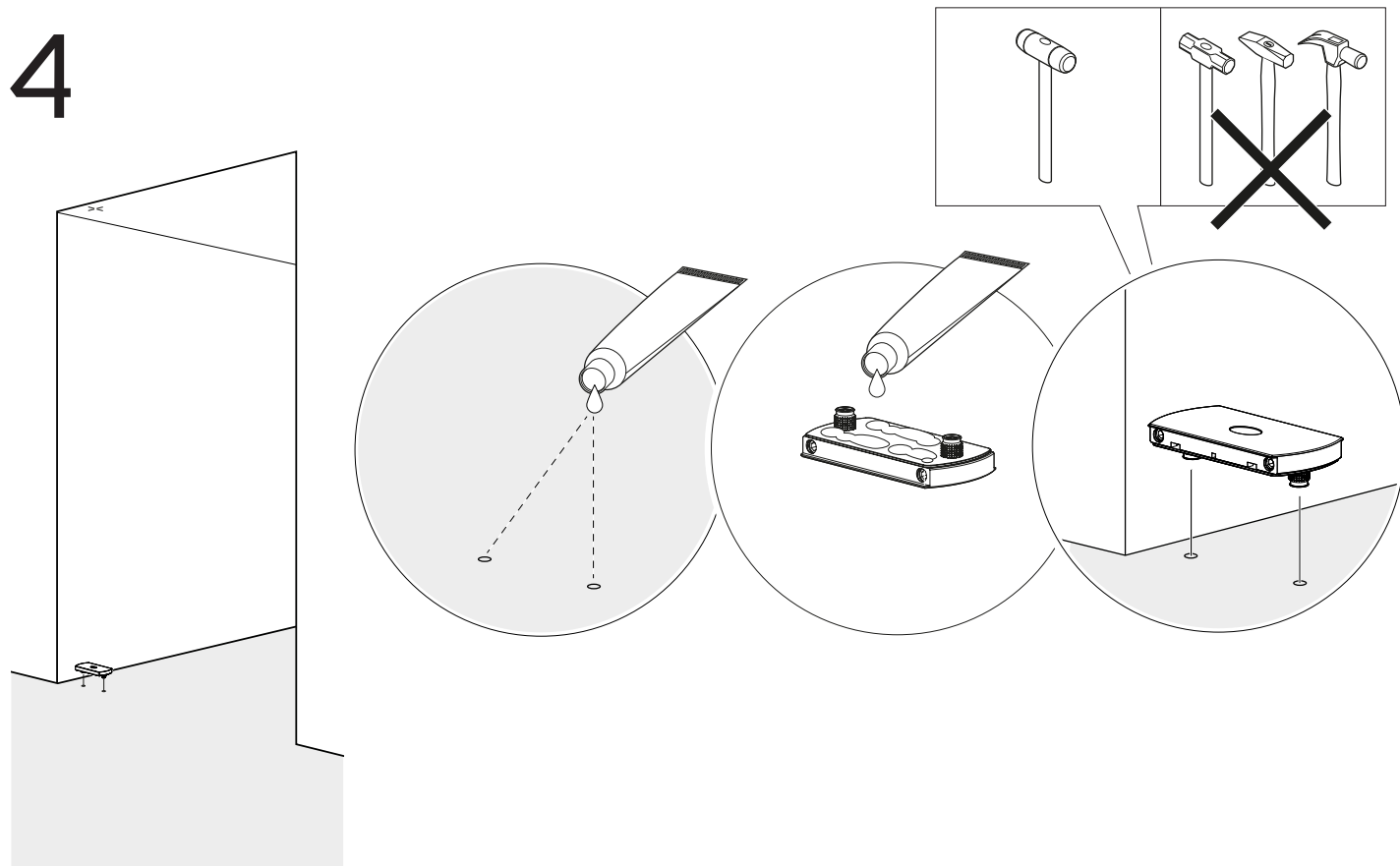
2



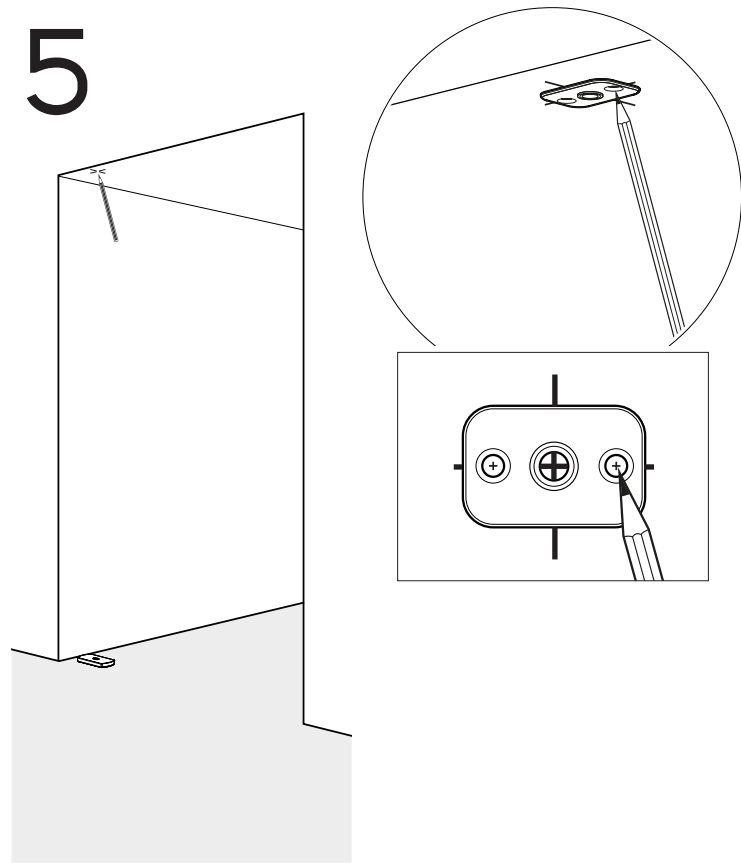
3



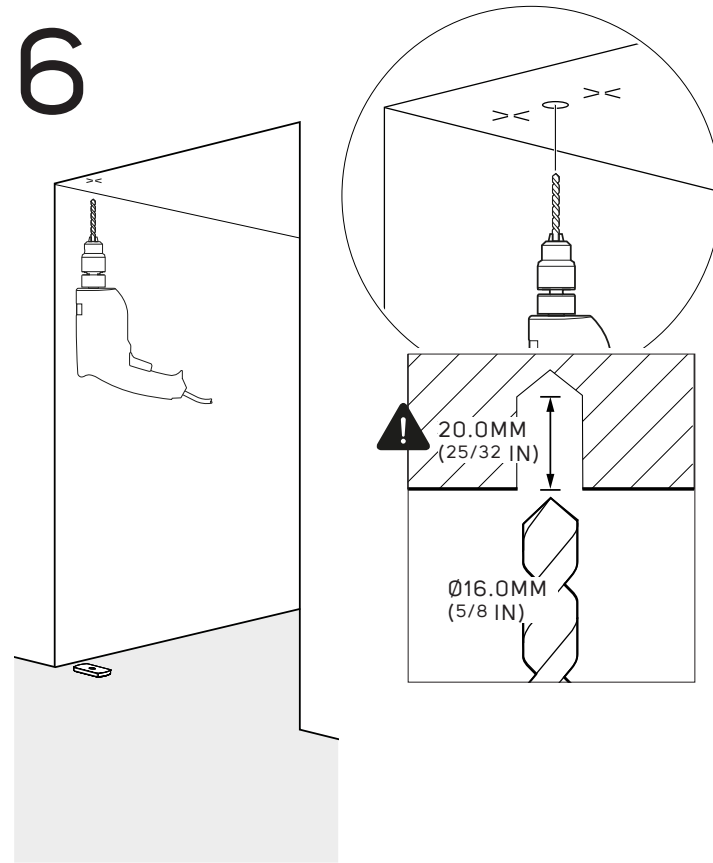
4



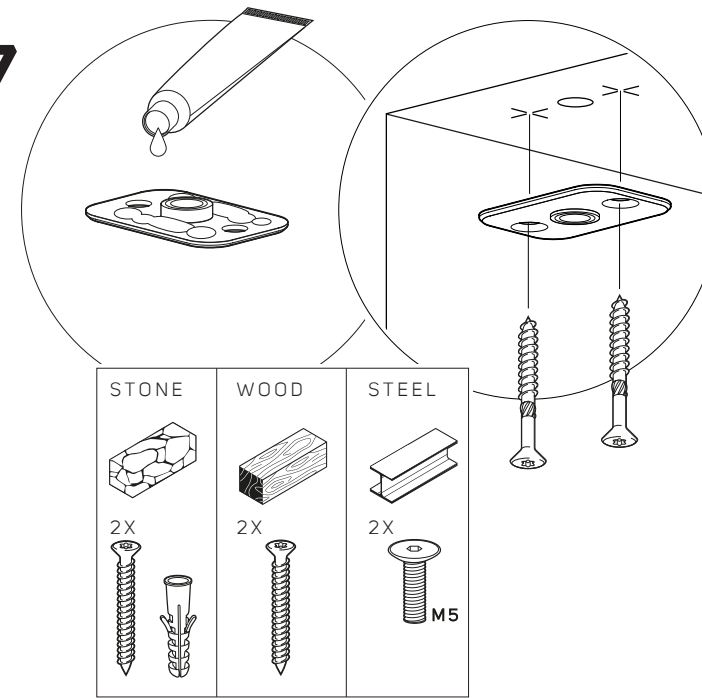
5



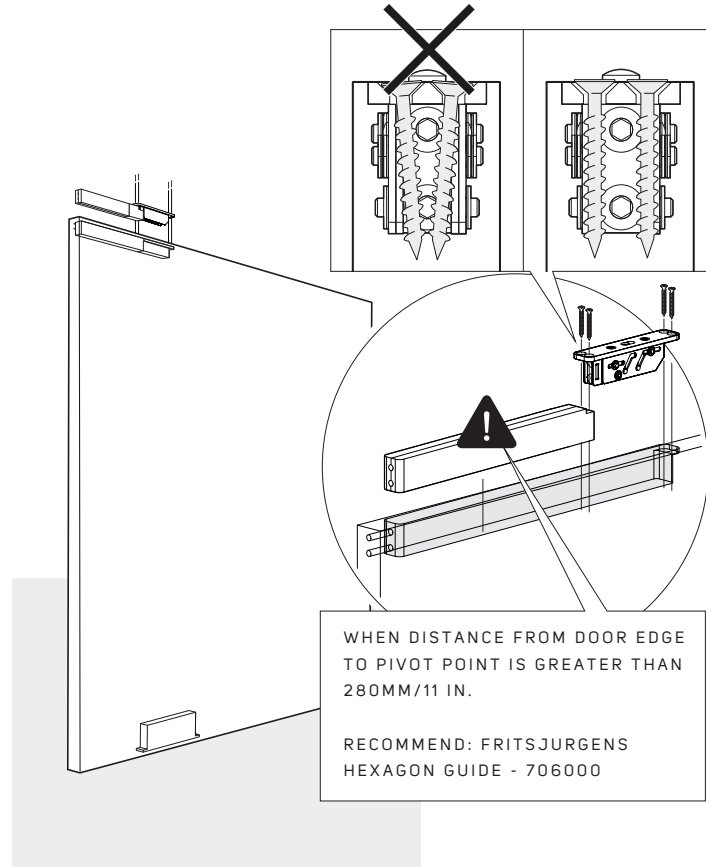
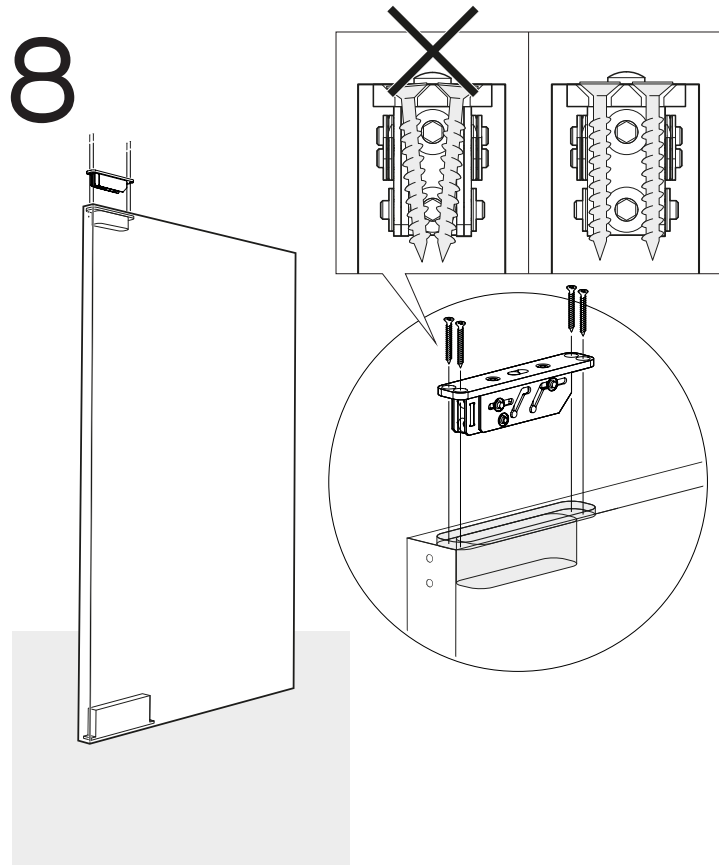
6



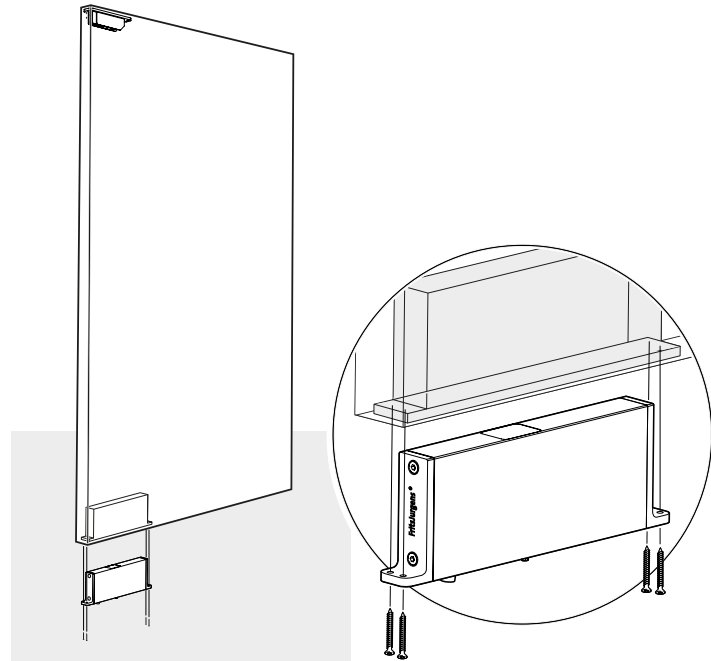
7



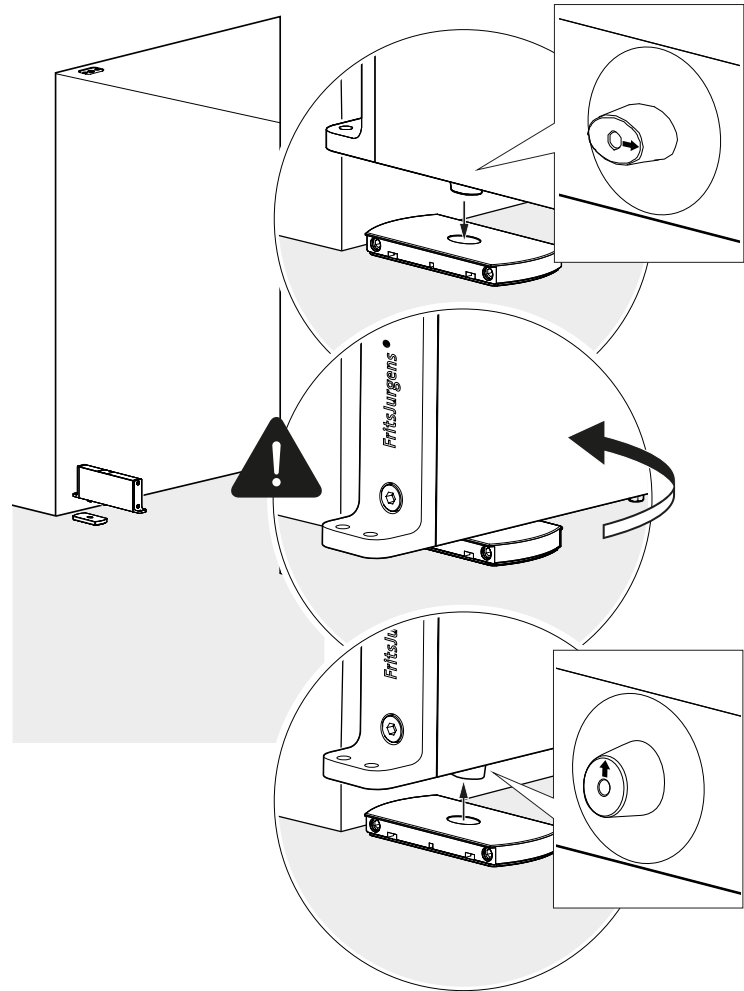
8



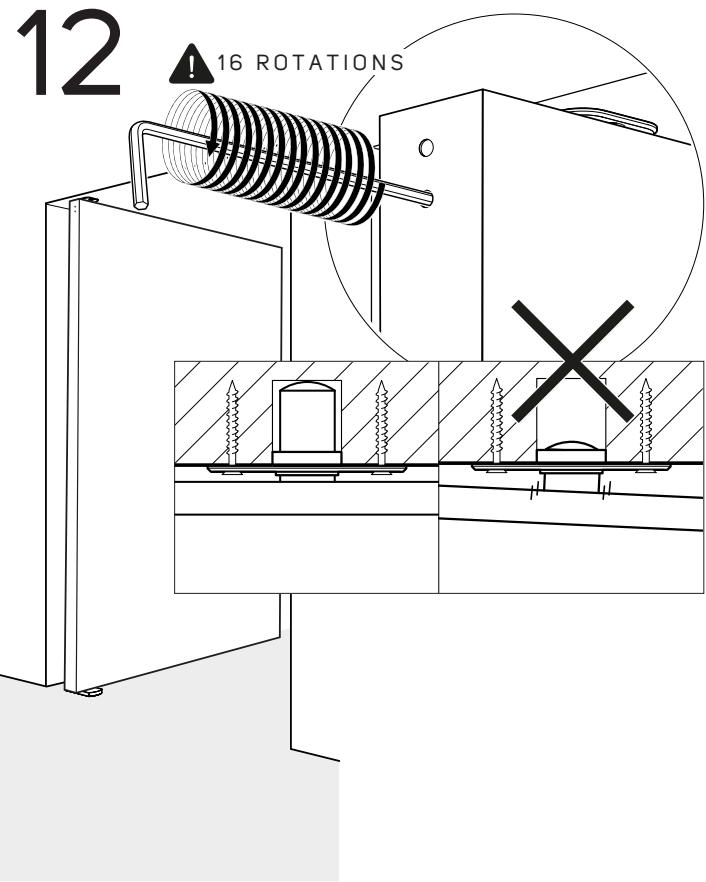
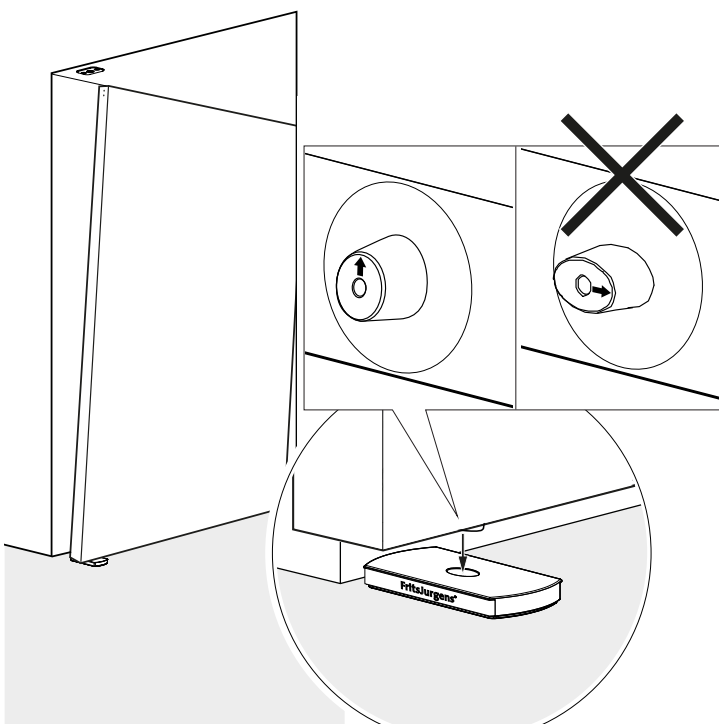
9



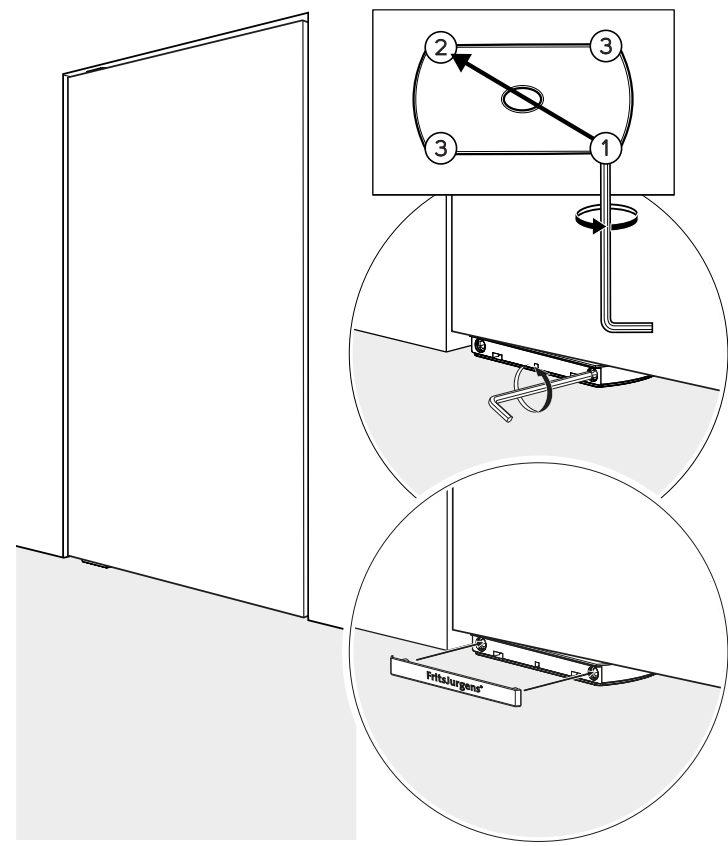
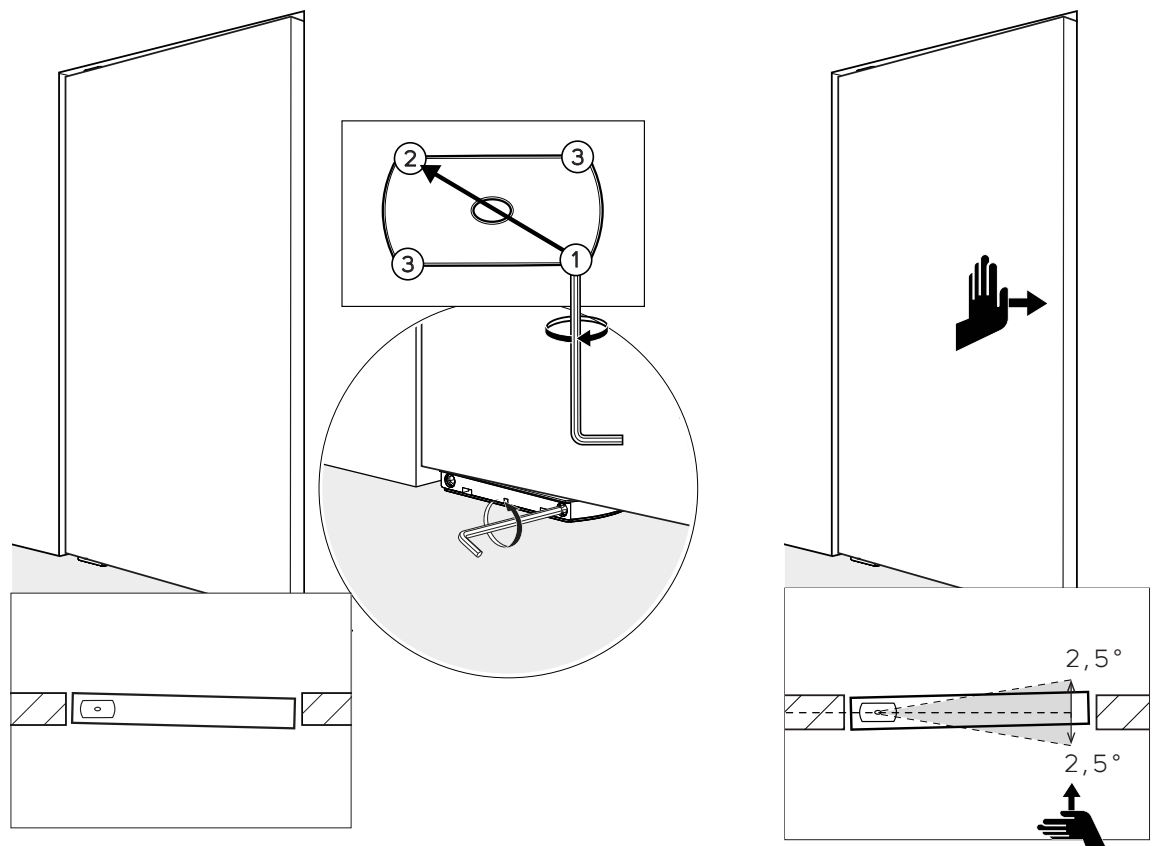
10



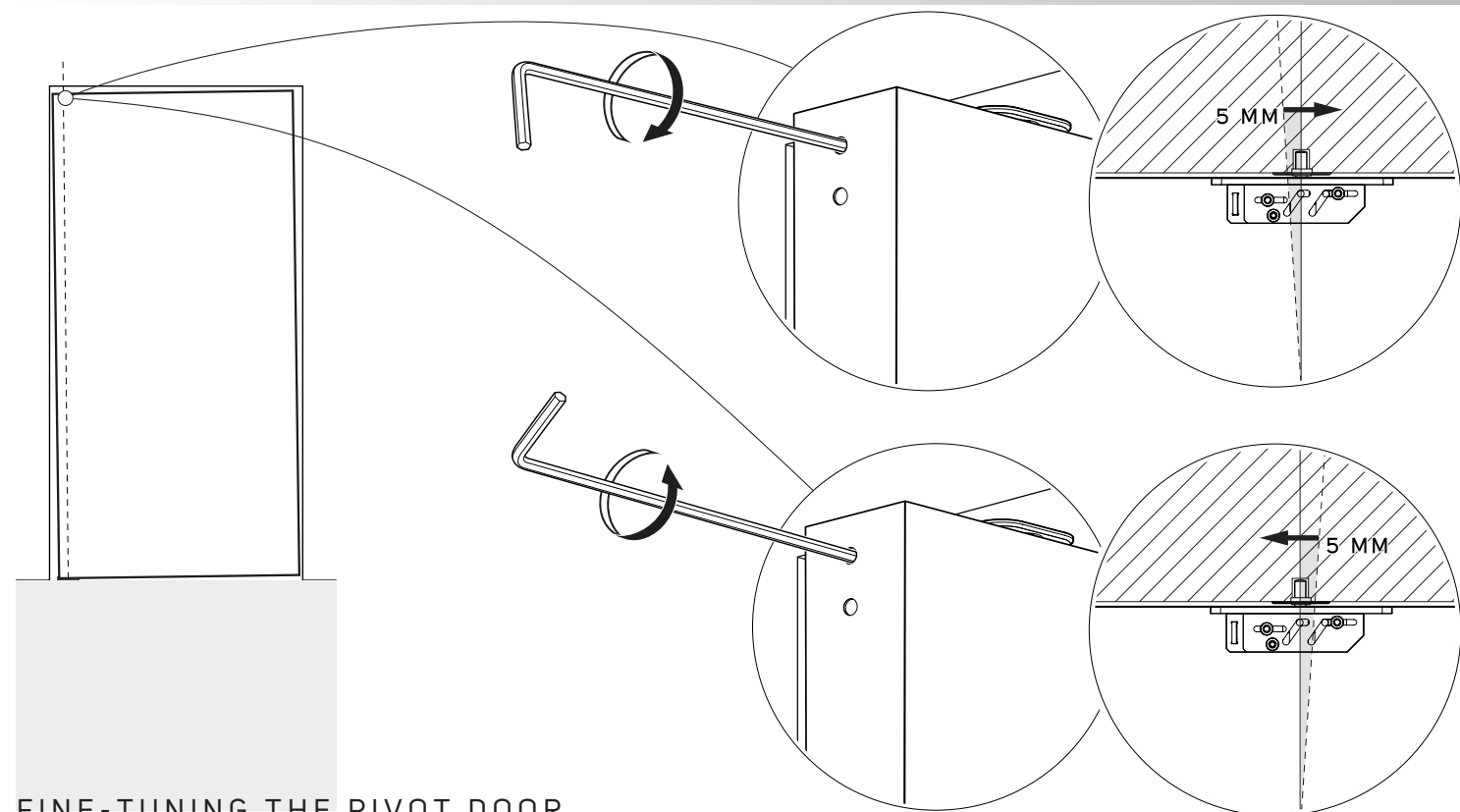
11



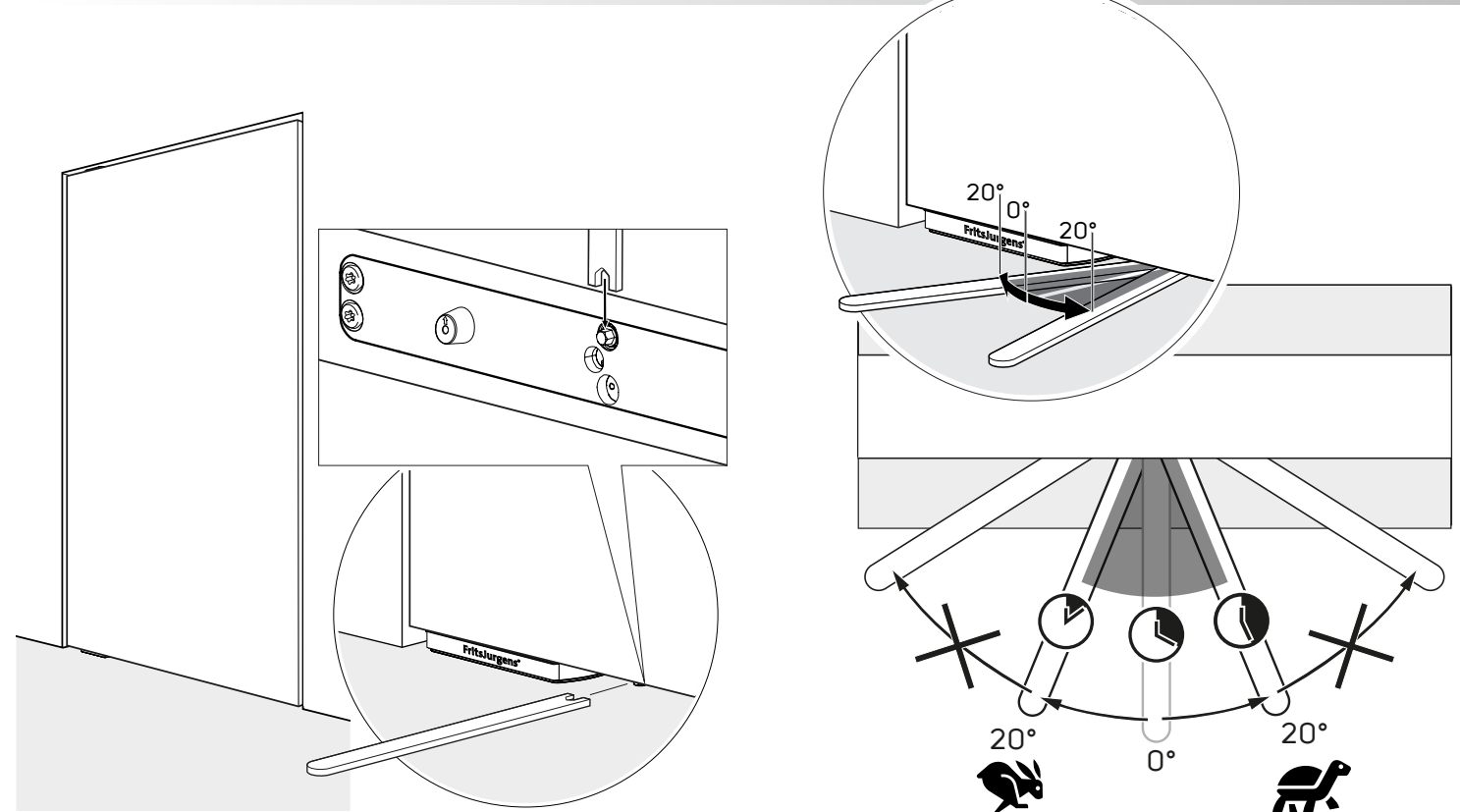
FINETUNING THE RADIAL POSITION



FINETUNING THE CLOSING SEAM



FINETUNING THE CLOSING SPEED



FINE-TUNING THE PIVOT DOOR

