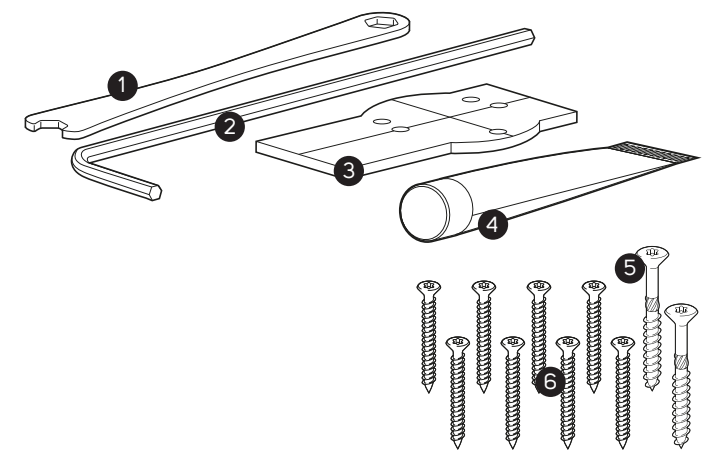
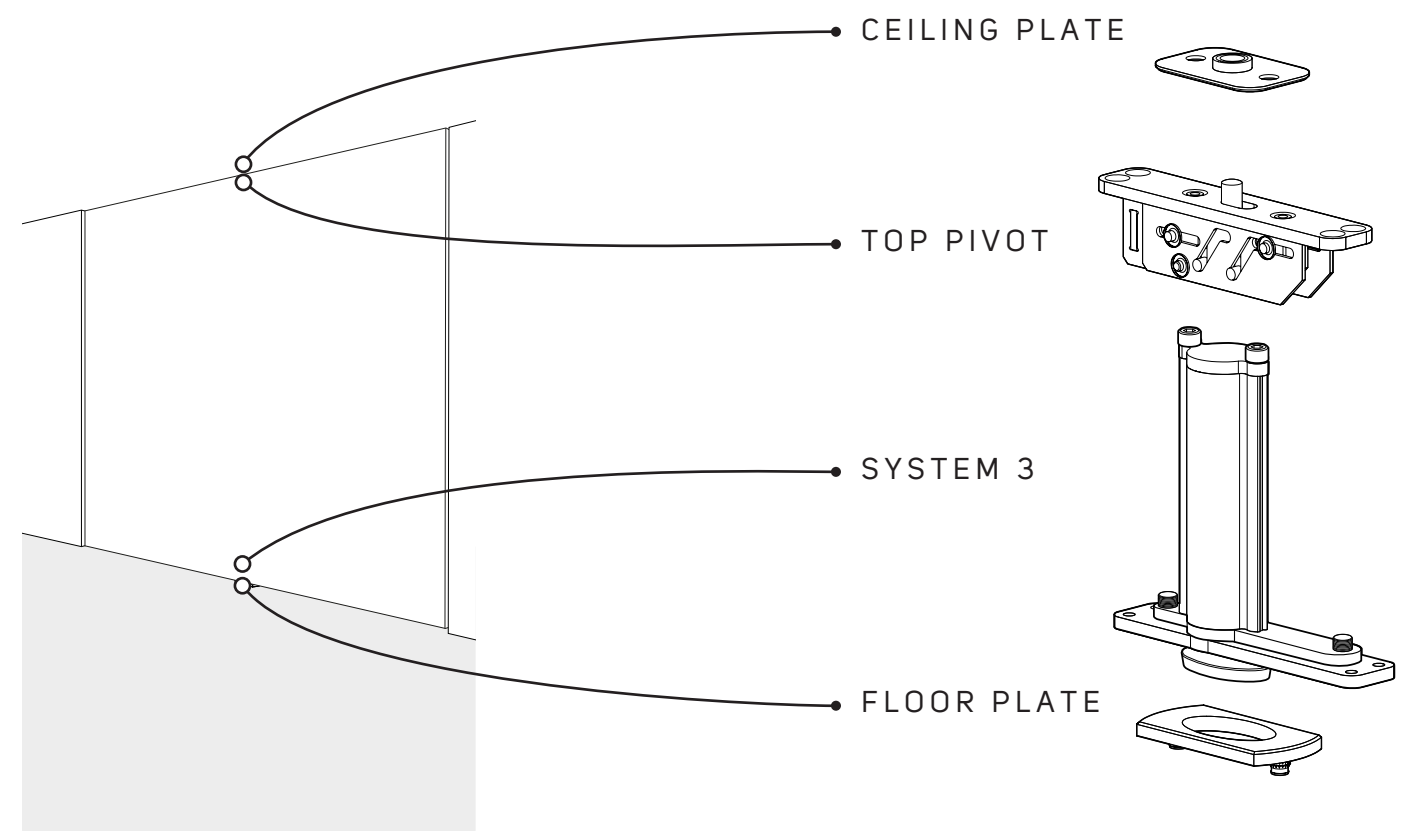
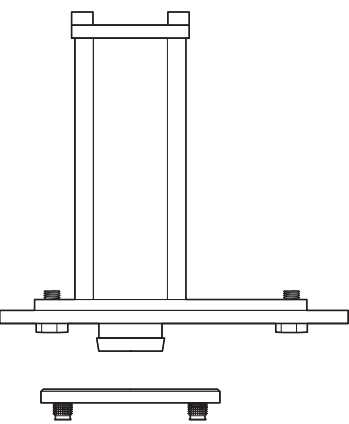


MOUNTING MANUAL

FritsJurgens®
SYSTEM 3



- ① ADJUSTMENT SPANNER
-
- ② ALLEN WRENCH
-
- ③ FITTING TEMPLATE
-
- ④ FITTING ADHESIVE
-
- ⑤ SCREW (6x60) 2x
-
- ⑥ SCREW (4x50) 8x

MOUNTING THE FLOOR PLATE

1

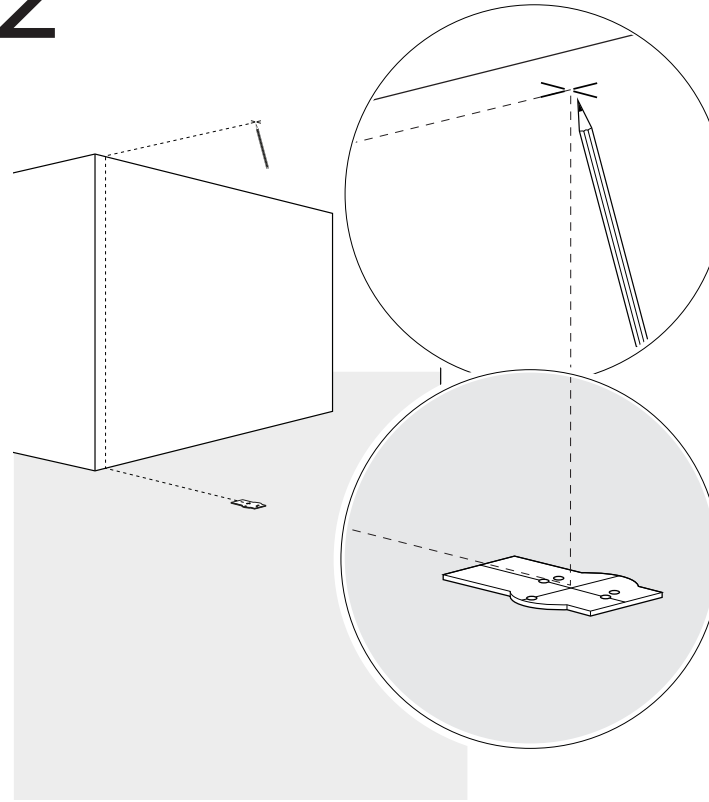
System ONE VPR80-B01 RVS

System ONE VP80*40-B11 RVS

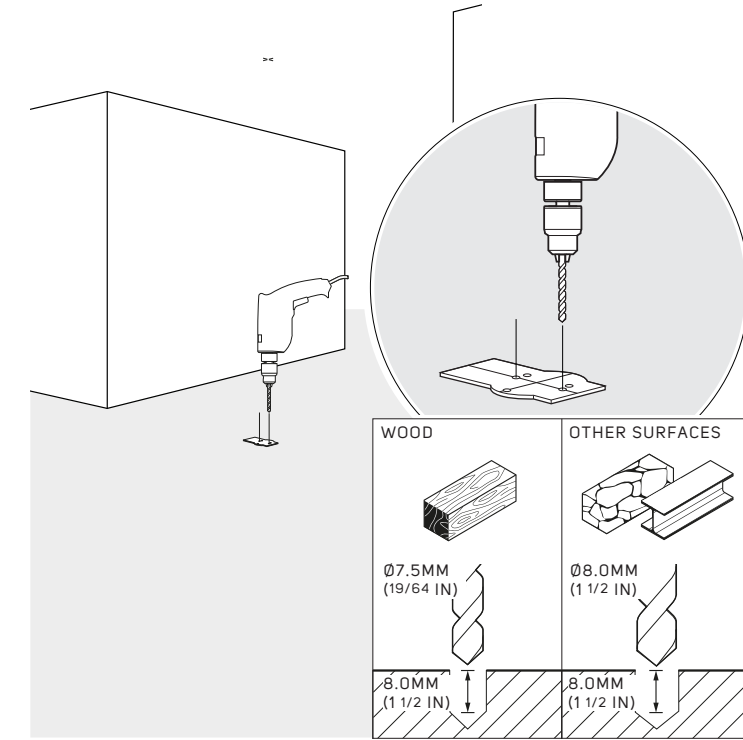
	40	50	60	70	80	90	100	X
91	4.2	5.4	6.8	8.5	10.4	12.5	14.8	
250	2.8	3.3	3.8	4.4	5.2	6.0	7.0	
500	2.4	2.6	2.9	3.2	3.6	4.0	4.5	
1000	2.2	2.3	2.5	2.6	2.8	3.0	3.3	
1500	2.1	2.2	2.3	2.4	2.5	2.7	2.8	
2000	2.1	2.2	2.2	2.3	2.4	2.5	2.6	

E Minimum gap between door and wall
B Distance pivot point to beginning edge of door
X Door thickness

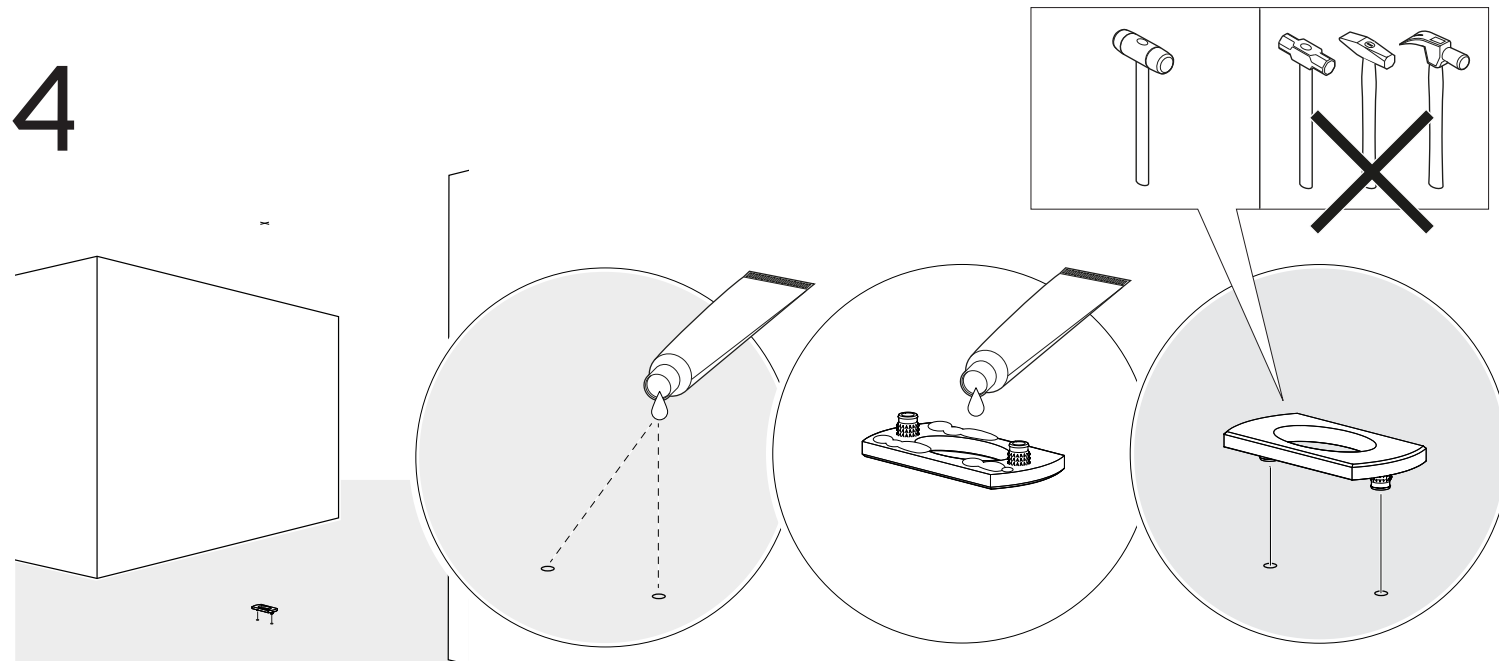
2



3

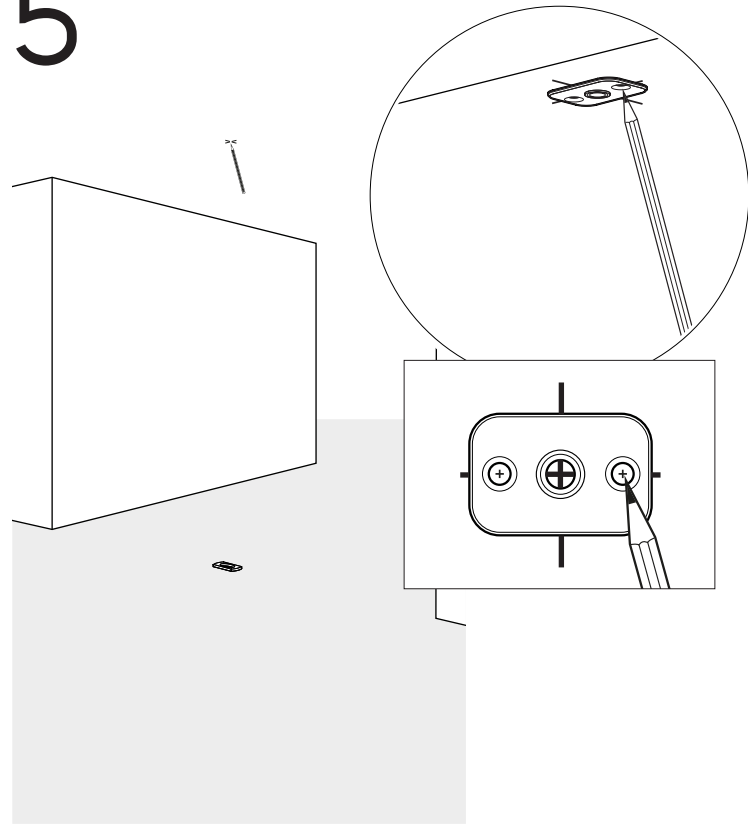


4

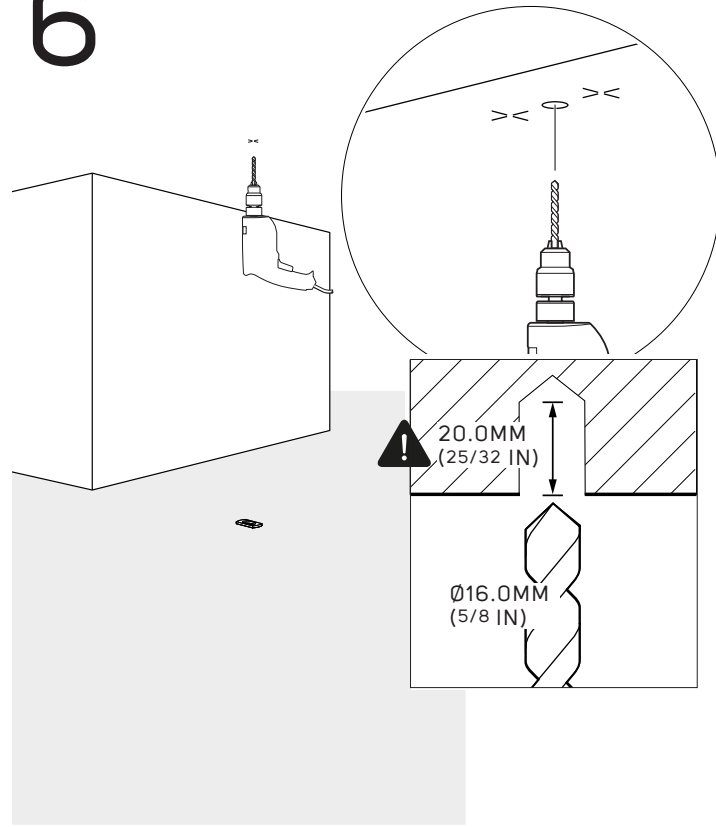


MOUNTING THE FLOOR PLATE

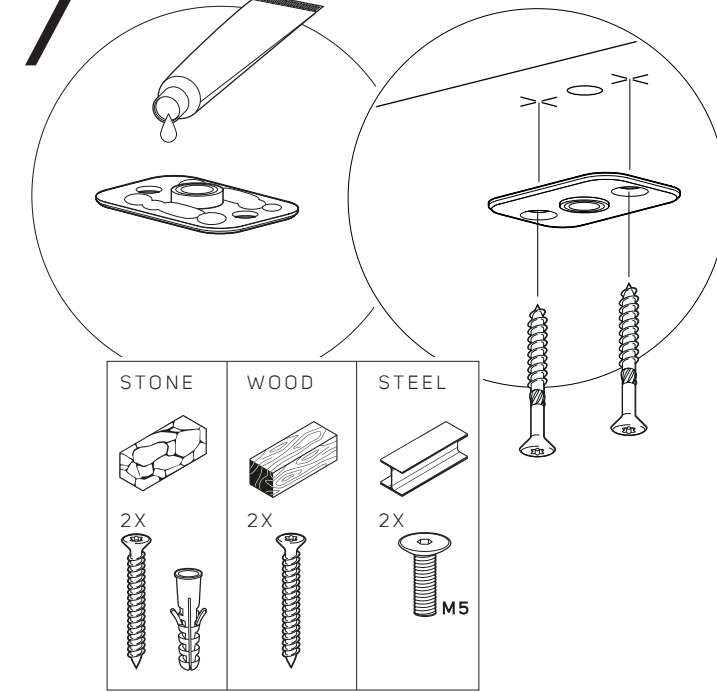
5



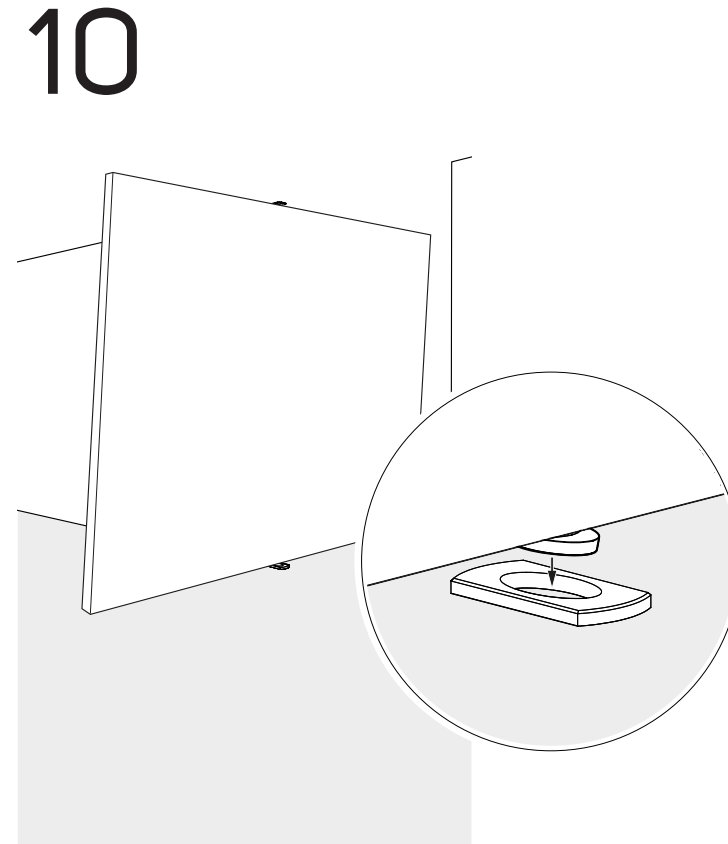
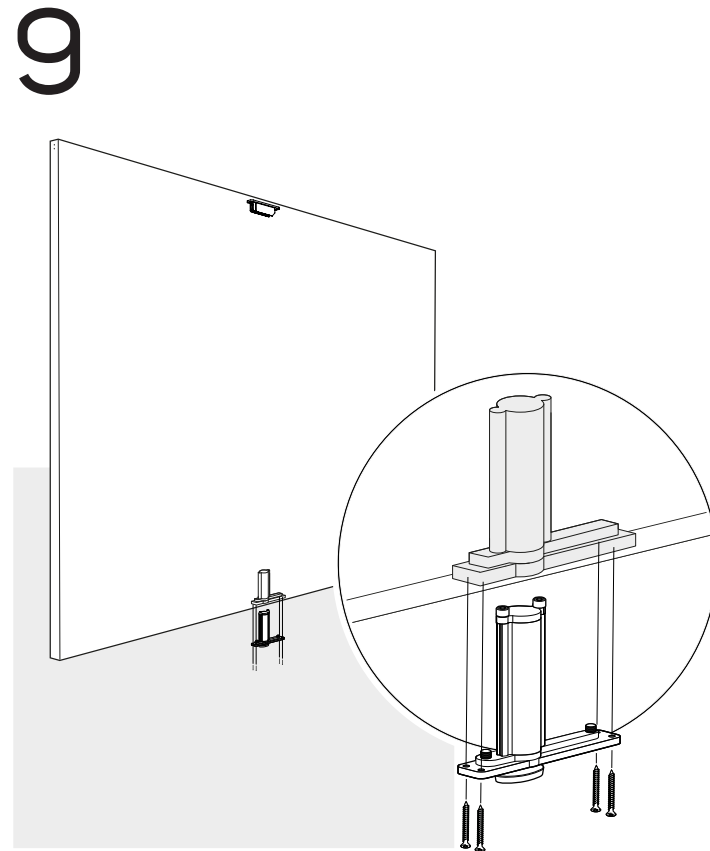
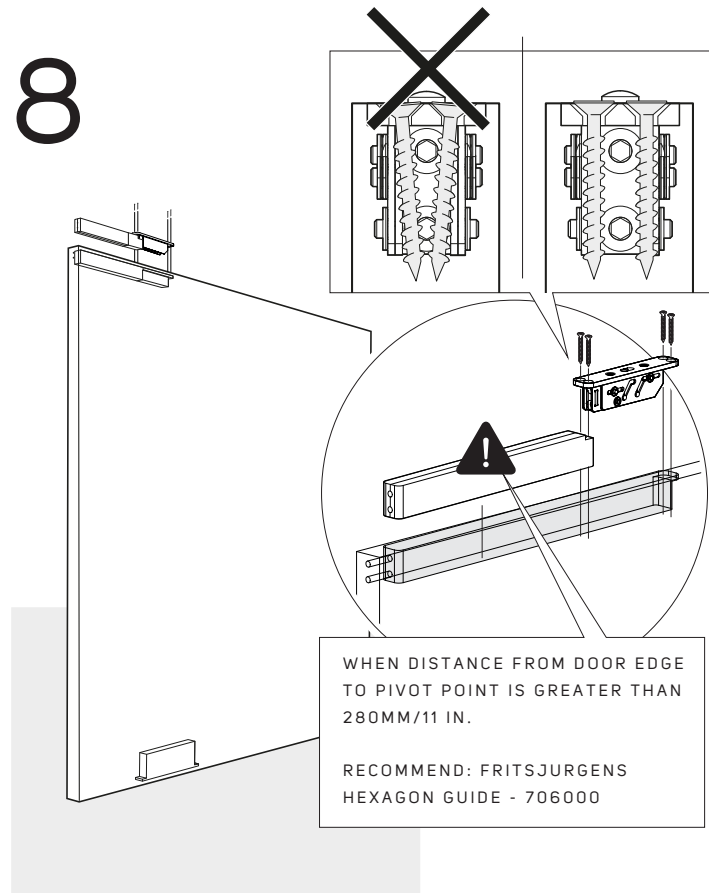
6



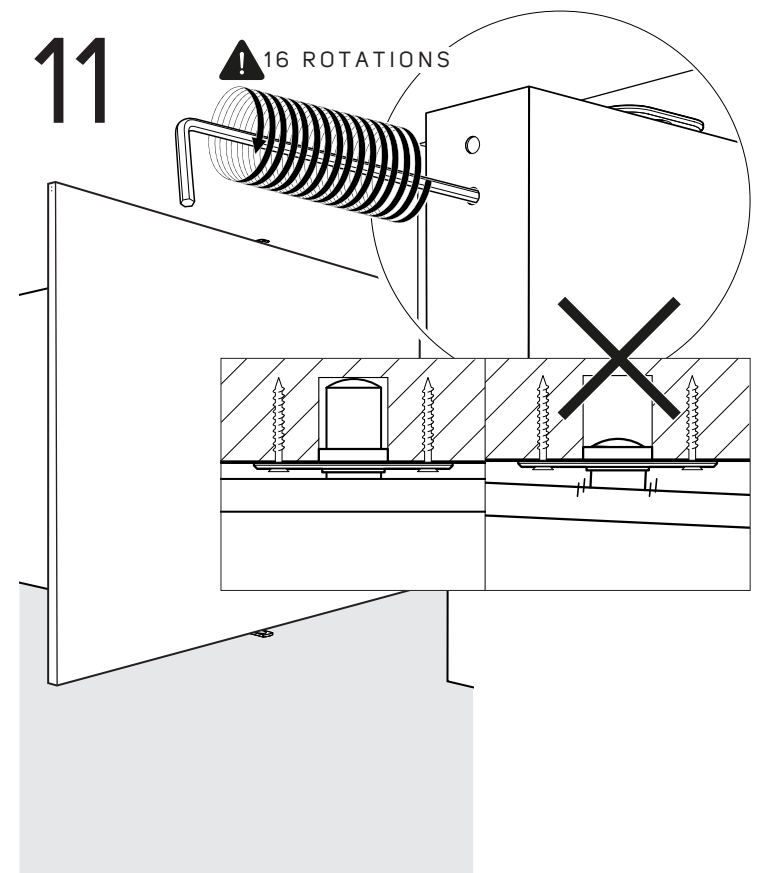
7



MOUNTING THE PIVOT DOOR



FritsJurgens®



MOUNTING THE PIVOT DOOR

